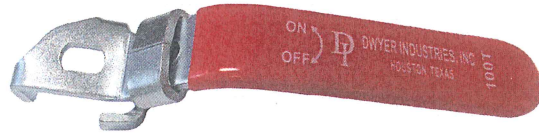
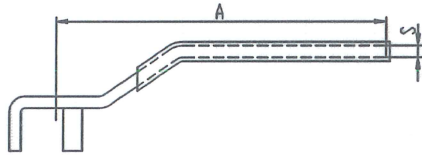


Dimensions & Weights In Inches & Pounds				Weight		Packaging		No.		Part Name		Qty		Material Spec																	
SIZE	A	B	C	D	E	Each	Box	Ctn	1	2	End Piece	1	2	Seat	2	Ball	1	Body	1	Stem	1	Stem Packing	1	Packing Nut	1	Lever Handle	1	Hex Nut	1	FIGURE NUMBER 100T	
1/4"	1.59	1.55	3.35	0.31	0.39	0.25	40	200	1	1	End Piece	1	2	Seat	2	Ball	1	Body	1	Stem	1	Stem Packing	1	Packing Nut	1	Lever Handle	1	Hex Nut	1	FIGURE NUMBER 100T	
3/8"	1.85	1.65	3.35	0.39	0.47	0.34	40	200	1	1	End Piece	1	2	Seat	2	Ball	1	Body	1	Stem	1	Stem Packing	1	Packing Nut	1	Lever Handle	1	Hex Nut	1	FIGURE NUMBER 100T	
1/2"	2.25	1.84	4.92	0.59	0.59	0.55	8	80	1	1	End Piece	1	2	Seat	2	Ball	1	Body	1	Stem	1	Stem Packing	1	Packing Nut	1	Lever Handle	1	Hex Nut	1	FIGURE NUMBER 100T	
3/4"	2.54	2.02	4.92	0.79	0.63	0.76	15	75	1	1	End Piece	1	2	Seat	2	Ball	1	Body	1	Stem	1	Stem Packing	1	Packing Nut	1	Lever Handle	1	Hex Nut	1	FIGURE NUMBER 100T	
1"	3.03	2.44	5.51	0.98	0.73	1.38	10	40	1	1	End Piece	1	2	Seat	2	Ball	1	Body	1	Stem	1	Stem Packing	1	Packing Nut	1	Lever Handle	1	Hex Nut	1	FIGURE NUMBER 100T	
1-1/4"	3.43	2.74	5.51	1.26	0.77	1.75	8	32	1	1	End Piece	1	2	Seat	2	Ball	1	Body	1	Stem	1	Stem Packing	1	Packing Nut	1	Lever Handle	1	Hex Nut	1	FIGURE NUMBER 100T	
1-1/2"	3.86	2.97	6.50	1.57	0.79	2.67	4	16	1	1	End Piece	1	2	Seat	2	Ball	1	Body	1	Stem	1	Stem Packing	1	Packing Nut	1	Lever Handle	1	Hex Nut	1	FIGURE NUMBER 100T	
2"	4.31	3.70	9.65	1.97	0.81	4.52	4	8	1	1	End Piece	1	2	Seat	2	Ball	1	Body	1	Stem	1	Stem Packing	1	Packing Nut	1	Lever Handle	1	Hex Nut	1	FIGURE NUMBER 100T	
2-1/2"	5.94	4.19	9.65	2.56	1.24	8.68		8	1	1	End Piece	1	2	Seat	2	Ball	1	Body	1	Stem	1	Stem Packing	1	Packing Nut	1	Lever Handle	1	Hex Nut	1	FIGURE NUMBER 100T	
3"	6.75	5.12	11.02	3.15	1.34	12.23		4	1	1	End Piece	1	2	Seat	2	Ball	1	Body	1	Stem	1	Stem Packing	1	Packing Nut	1	Lever Handle	1	Hex Nut	1	FIGURE NUMBER 100T	
4"	8.03	5.73	11.02	3.94	1.54	19.41		2	1	1	End Piece	1	2	Seat	2	Ball	1	Body	1	Stem	1	Stem Packing	1	Packing Nut	1	Lever Handle	1	Hex Nut	1	FIGURE NUMBER 100T	
600 W.O.G. Full Port Forged Brass Threaded Ball Valve																Large Stem Design		Available Sizes 1/4" to 4"													

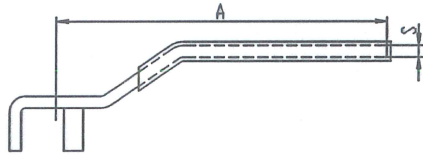
Dwyer Industries, Inc.

Houston, Texas

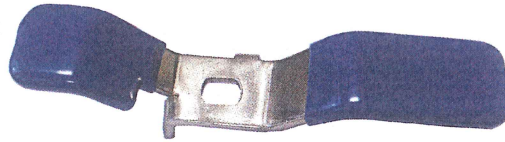
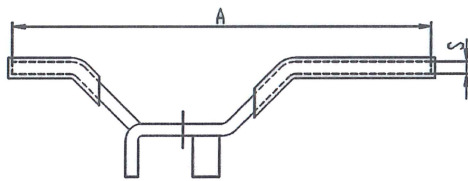
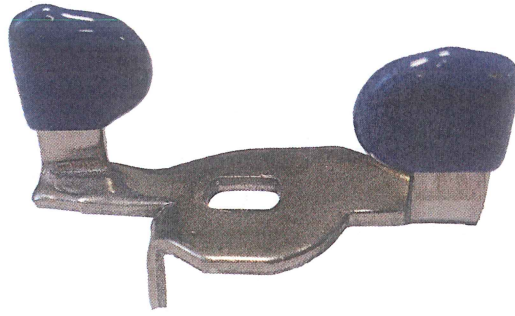
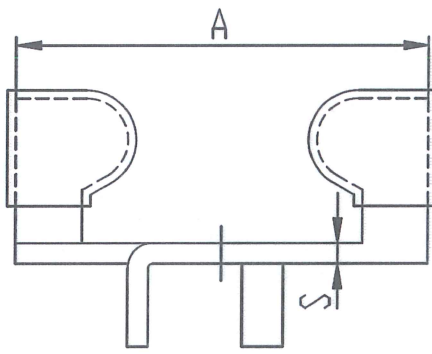


Over Sized Steel Handle with Locking Device

SIZE	A	S
1/4"	3.35	0.118
3/8"	3.35	0.118
1/2"	4.92	0.118
3/4"	4.92	0.118
1"	5.51	0.138
1-1/4"	5.51	0.138
1-1/2"	6.5	0.157
2"	9.65	0.197
2-1/2"	9.65	0.197
3"	11.02	0.197
4"	12	0.197



Over Sized 316 Stainless Steel Handle		
SIZE	A	S
1/4"	3.35	0.118
3/8"	3.35	0.118
1/2"	4.92	0.118
3/4"	4.92	0.118
1"	5.51	0.138
1-1/4"	5.51	0.138
1-1/2"	6.5	0.157
2"	9.65	0.197
2-1/2"	9.65	0.197
3"	11.02	0.197
4"	12	0.197



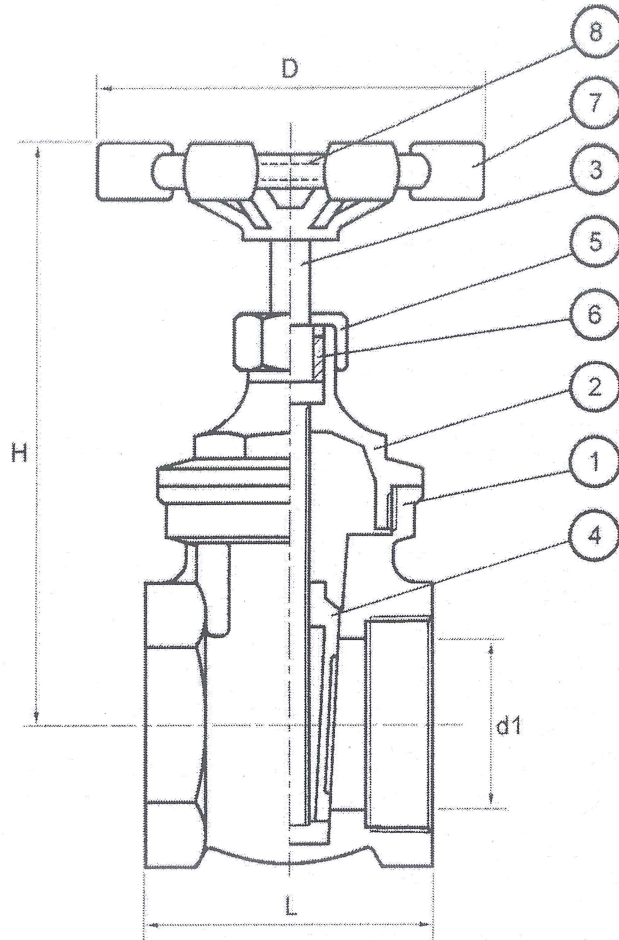
Over Sized 316 Stainless Steel Butterfly Handle		
SIZE	A	S
1/4"	1.97	0.098
3/8"	1.97	0.098
1/2"	3.94	0.118
3/4"	3.94	0.118
1"	5.31	0.118

### 200 WOG FORGED BRASS NRS GATE VALVE

**FIG. 102T**

200 WOG, screwed bonnet, brass body &amp; bonnet, non-rising stem, NPT ends.

- Working pressure: 200 psi


**Materials:**

No.	Part Name	Specification
1	Body	Forged brass B283 C37700
2	Bonnet	Forged brass B283 C37700
3	Stem	Brass B16
4	Disc	Forged brass B283 C37700
5	Packing Nut	Brass rod
6	Gland Packing	PTFE
7	Handwheel	Cast Iron A126
8	Handwheel Nut	Carbon steel

**Dimensions:**

Size		D		H		L		d1		Weight	
in	mm	in	mm	in	mm	in	mm	in	mm	lb	kg
½	15	2.13	54	2.83	72	1.57	40	.51	13	.66	.30
¾	20	2.13	54	3.07	78	1.69	43	.63	16	.88	.40
1	25	2.32	59	3.43	87	1.97	50	.79	20	1.34	.61
1¼	32	2.87	73	4.02	102	2.05	52	1.02	26	2.02	.92
1½	40	2.87	73	4.53	115	2.17	55	1.26	32	2.64	1.20
2	50	3.11	79	5.31	135	2.56	65	1.73	44	4.40	2.00